

RQ-21A BLACKJACK

Expeditionary, payload flexible and the most versatile UAS in its class.

Mission-Ready

Intelligence, Surveillance,
Reconnaissance (ISR)

Battle Damage Assessment

Combined Arms

Communications Relay

Networked Operations

Force Protection

Search and Rescue

Humanitarian Assistance/
Disaster Response

Target Following

Pattern of Life

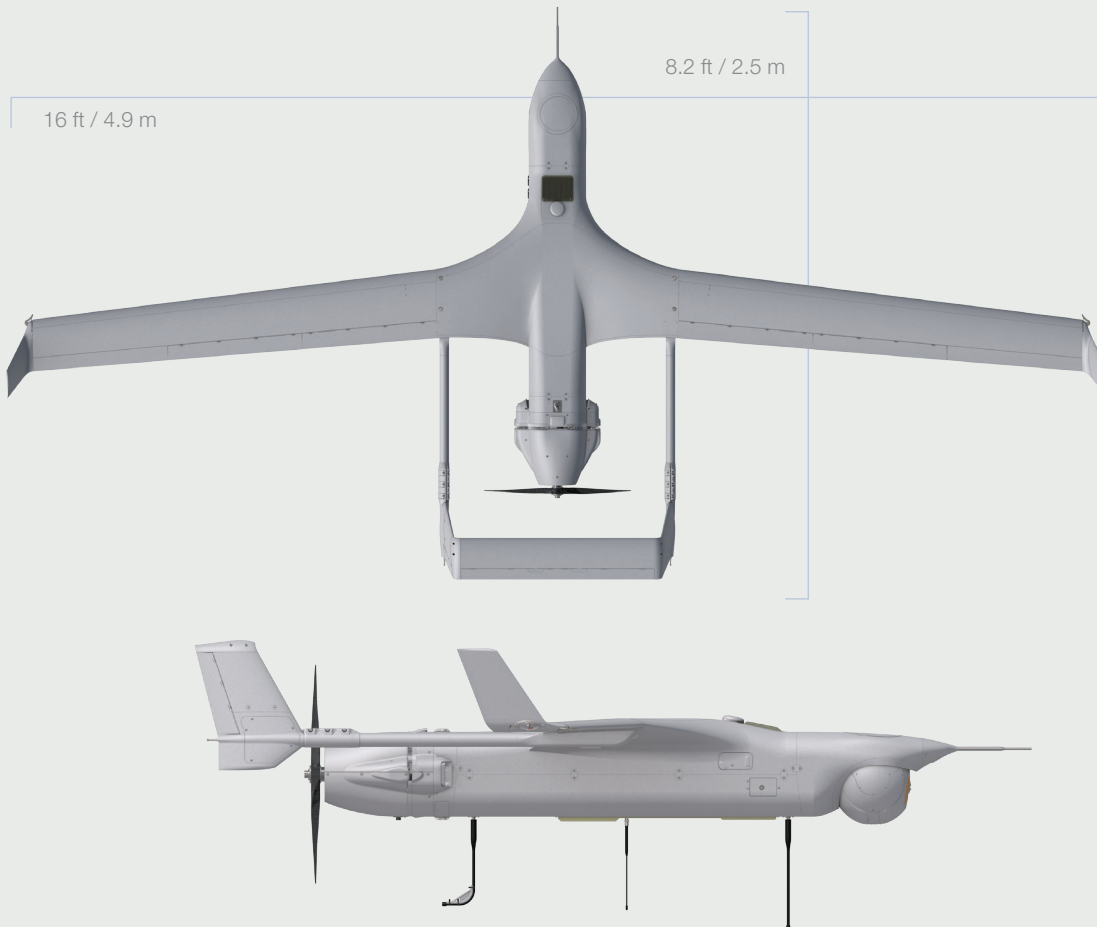
Border Security

Asset Protection

Anti-Piracy

Electronic Warfare

RQ-21A Blackjack Unmanned Aircraft System (UAS)



Mark 4 Launcher

Trailer mounted, pneumatically actuated, expeditionary



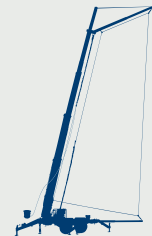
ICOMC2

Small-footprint command and control



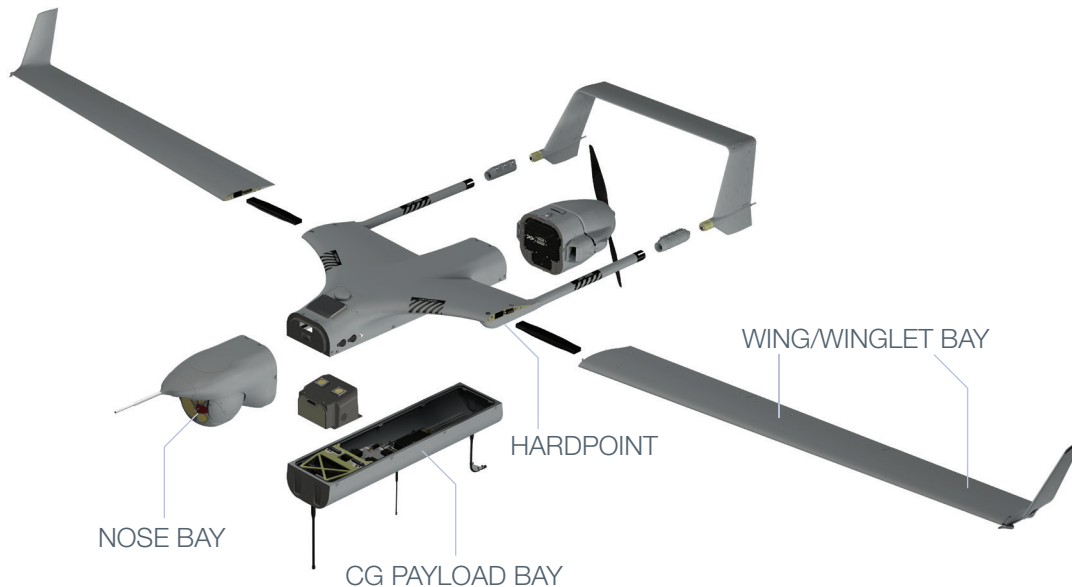
SkyHook®

No nets, runway-independent recovery system



Expand your expeditionary capabilities. Increase your payload options.

In partnership with the Department of the Navy, Insitu developed the RQ-21A Blackjack program to fill the requirement for a small tactical unmanned aircraft system capable of operating from land and sea. The system is modular, versatile and multi-mission capable, providing rapid transitions between land and maritime environments. Blackjack's open payload architecture is customized with imagers, communication systems, electronic warfare, signals intelligence capabilities and other tools to give the warfighter a look ahead in all operational environments.



Dimensions

Length:	8.2 ft / 2.5 m
Wingspan:	15.7 ft / 4.9 m

Weights

Empty structure weight:	81 lb / 36.7 kg
Max takeoff weight:	135 lb / 61 kg
Max payload weight:*	39 lb / 17.7 kg

Performance

Endurance:	>16 hours
Ceiling:	>20,000 ft
Max horizontal speed:	90+ knots
Cruise speed:	60 knots
Engine:	8 HP reciprocating engine with EFI; JP-5, JP-8

Standard Payload Configuration

- › Electro-optic imager: - 1.1°–25° optical field of view; 4x digital zoom
- › Mid-wave infrared imager: - 2°–25° field of view
- › Laser rangefinder
- › IR marker
- › Communications relay and AIS

*Reduces endurance



Class 3B laser product. Invisible laser radiation. Avoid exposure to beam.



Decision-making superiority delivered

Insitu Inc.
118 East Columbia River Way
Bingen, WA 98605 USA

+1.509.493.8600
insitu.com
contactus@insitu.com

